



Specifications: Tribal Fire Grill

Model: Professional Series

Materials: Mild steel flat top, grilling grates, fire basket, posts, and stand

High temperature flat black painted stand

Plastic adjustable leveling feet

Stainless steel logo plate

Zinc coated handles

Zinc coated hardware

Plastic swivel caster wheels (optional)

3/4" thick marine plywood shelf (optional)

Fuel type: Charcoal (lump or brickette) and or seasoned wood

Fuel capacity: One chimney of charcoal to start

Installation: Only install in an outside area with non-combustible surfaces below, beside, and above the grill

Portability: Only move the grill when cool and only roll on smooth and level surfaces to avoid tipping

Cooking area: Flat top cooking area: 530 square inches

Center grilling area over live fire: 63 square inches

Swinging grate grilling area: 158 square inches (two grates maximum)

Total cooking area: 751 square inches



Norris Thermal Technologies Inc. dba Tribal Fire Grills
7930 N 700 E Tippecanoe, IN. 46570 USA
Ph# 574-353-7855 Sales@tribalfiregrill.com www.tribalfiregrill.com

Grill weight: Flat cook top with two posts – 43 lbs (no swing grate attached)

Barrel – 39 lbs (empty with no ash)

Fire basket – 7 lbs (empty with no ash)

Leg stand with adjustable feet – 13 lbs

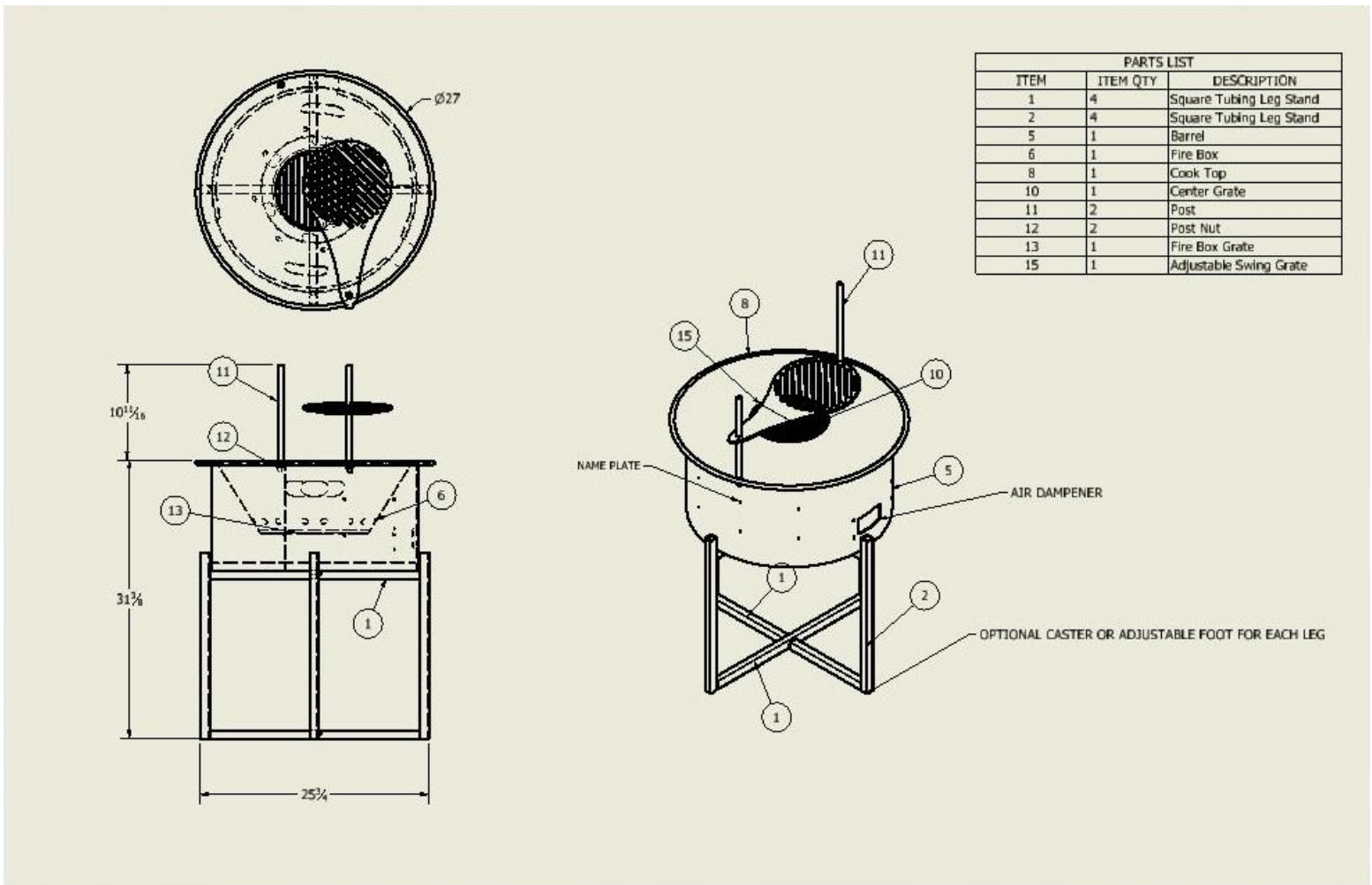
Caster wheels – 8 lbs

Swinging adjustable grate – 5 lbs

Total weight – 115 lbs (empty)

Manufacturing: Tippecanoe, IN. USA

Grill dimensions (not shown with adjustable feet or casters):



Norris Thermal Technologies Inc. dba Tribal Fire Grills

7930 N 700 E Tippecanoe, IN. 46570 USA

Ph# 574-353-7855 Sales@tribalfiregrill.com www.tribalfiregrill.com